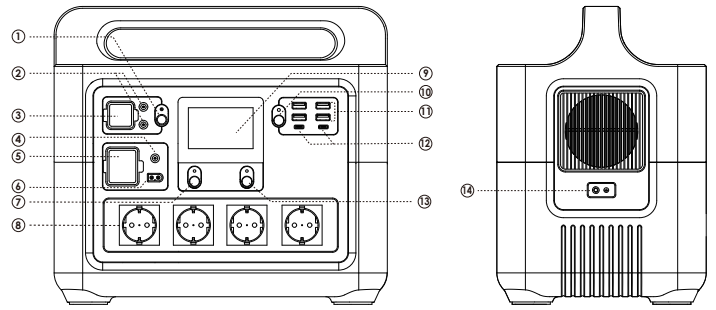
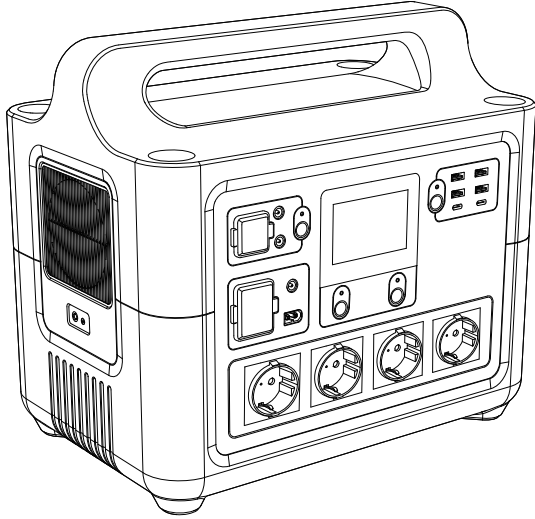


Portable Power Station HS1000

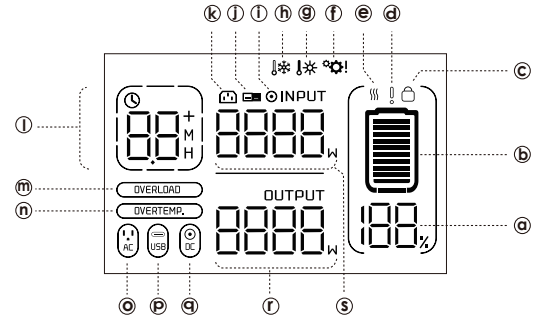


- ① DC ON/OFF Switch
- ② DC Output Port
- ③ Car Socket
- ④ DC Input Port
- ⑤ AC Input Port
- ⑥ Solar Input Port
- ⑦ AC ON/OFF Switch
- ⑧ AC Output Ports
- ⑨ LCD Display
- ⑩ USB ON/OFF Switch
- ⑪ QC3.0 USB-A Ports x4
- ⑫ PD100W USB-C Ports x2
- ⑬ Main Power Button
- ⑭ Ground Connection

Specification

Capacity:	1228.8Wh (25.6V/48Ah)		
Battery Type:	LiFePO ₄		
Input:	AC	1000W Max.	220-240V~,50Hz
	XT60	12-30V/Max 10A (Max 300W)	
	DC 5521	12-30V/Max 7A (Max 200W)	
Inverter Waveform:	Pure Sine Wave		
AC Output:	Rated Power: 1000W	220-240V~,50Hz	US/JP/AU has 6 ports. European/CN/UK /Universal has 4 ports.
	Peak Power: 1500W		
DC Output:	2x USB-C	PD 100W (5V/9V/12V/15V/3A, 20V/5A)	
	4x USB-A	QC3.0 (5V/3A, 9V/2A,12V/1.5A) per port Max.18W	
	1x Car Socket	13.6V/8A, Max 108.8W	Total share 8A Max
	2x DC5521	13.6V/8A, Max 108.8W	

LCD Display



Battery Information indication	Ⓐ		Battery Power Level %	Ⓐ		Battery failure/Low voltage indicate
	Ⓑ		Battery Power Level	Ⓑ		Battery high/low temperature indication
	Ⓒ		Battery lock protection			
Input indication	Ⓓ		AC Input	Ⓓ		DC Input
	Ⓔ		Solar Input	Ⓔ		Input power
Output indication	Ⓕ		AC Output Icon	Ⓕ		DC/ Car Outlet Output
	Ⓖ		USB Output Icon	Ⓖ		Output power
Remaining time indication	Ⓖ		Remaining discharge / charge time	Ⓖ	M	Minutes
	Ⓖ			Ⓖ	H	Hours
Protection indication	Ⓕ		System failure indication	Ⓕ		Overload protection indication
	Ⓖ		Over temperature indication	Ⓖ		Over temperature protection indication
	Ⓖ		Low temperature indication			

CAUTION

- If there is no operation for 3 minutes when the product is working, the screen will automatically turn off and the power indicator enter into "breathing light" mode.
- Click the On/Off button to light on the screen, the power indicator enter into the "on" mode. When switch on the portable power station with all the output port switch off and without charge. The portable power station will switch off automatically if there is no any other operations within 10 minutes.
- During the operation, you can click the On/Off button to light on/off the screen display at any time.
- The screen will not automatically turn off the display when there is any protection start-up prompt or abnormal alert. The screen automatically turn off function will only be activated after the fault is solved.

User's Manual

Thank you for purchasing our energy storage series products. We are striving to create innovative products with extreme safety and excellent performance for you, and we are trying our best to make the products simple and easy to use. But in view of the particularity of battery products, Please read the user's manual carefully before using the product to ensure a safe and satisfactory operation.

CAUTION

- Please keep dry and stay away from fire.
- Do not disassemble, puncture or squeeze the portable power station.
- Please recycle and dispose of the product in accordance with local laws and regulations.
- Please hand it over to a professional recycling company to dispose this portable power station.
- Children and the disabled please use this product with guardian.

Safety Instructions and Maintenance

- Please read the manual carefully before using the product.
- To reduce the risk of injury, please pay more attention when using this product near children.
- Do not put fingers, palms or any part of your body into the product.
- Use the unrecommended accessories may cause fire, electric shock or personal injury.
- Do not use damaged or modified battery packs or devices.
- Do not operate the portable power station with a damaged cord, plug or output cable. Otherwise it may cause a short circuit and risk of fire.
- Please hand the power station to a qualified service provider for repair or maintenance. Do not disassemble the portable power station by yourself, as wrong disassembly method may cause the risk of fire or electric shock.
- In order to reduce the risk of electric shock when the product fails, disconnects the portable power station from the power supply before performing any instructive maintenance operations.
- Please charge the product in a well-ventilated place, do not obstruct the air circulation.
- Under some extremely harsh conditions, liquid may be ejected from the battery. Avoid contact with batteries and liquids. If contacted please rinse with plenty of water. If the liquid comes into contact with the eyes, please seek other medical help.
- Please do not expose the product to fire or excessive heat.
- Only repairs by qualified service personnel.
- Please do not exceed the specified input AC voltage. Otherwise it may cause product failure, we will not be responsible for providing free maintenance services. Please keep the safety instructions properly.

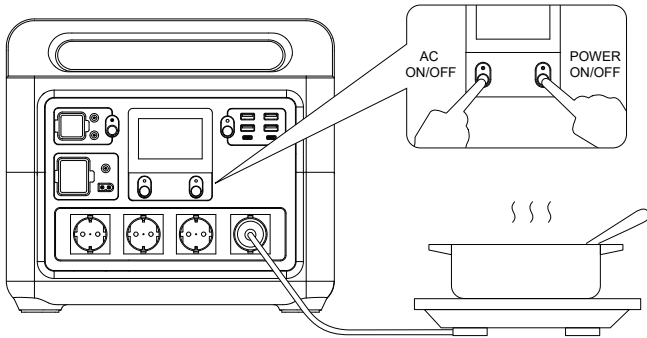
Introduction

- Faster Charging from the Wall
HS1000 offers multiple recharging options. Industry-leading 1000W High Power AC input lets you recharge in as little as 2 hours, or to recharge by car or solar panel up to 300W. Charge the HS1000 from the sun with our portable solar panels while away from the grid, and keep it topped off from a wall outlet when you're home. Integrated MPPT charge controller ensures you're getting the most efficient solar charge possible.
- HS1000 is a gas-free solar powered generator with versatile port options, and it support to power a wide range of devices with different port options including fast-charging 100W USB-C Power Delivery, multiple fast quick charging USB-A ports, regulated 12V, and AC ports.

How to use the AC output function

Under the condition that the total power does not exceed 1000W, all ac outlets can work together at the same time.

1. Make sure there is no AC input, Long press the main power button 3S to turn on. The main power indicator and the screen lights up, enters the standby state.
2. Plug in AC appliances.
3. Tap the AC on/off switch to turn on the AC output function. The product starts to supply power to external AC appliances.
4. Long press the AC power on/off switch to turn off the AC output.
5. When not using the product for a long time, please long press the main power switch for 3S to turn off to save power.

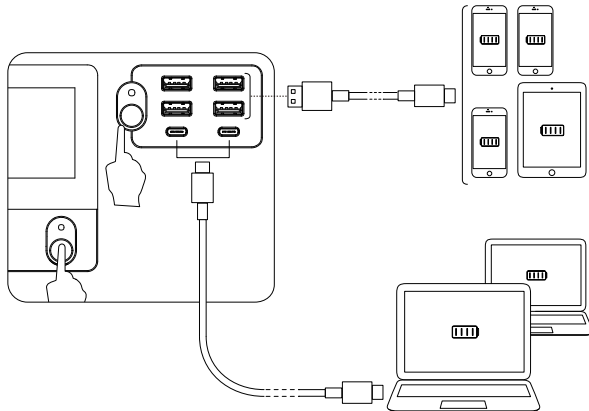


CAUTION:

- When charging HS1000 by AC input. The AC output function will be stay off, and it cannot be turned on by using the AC ON/OFF switch.
- If HS1000 is charged through the AC input during the AC output operation, the AC output will be turned off automatically.

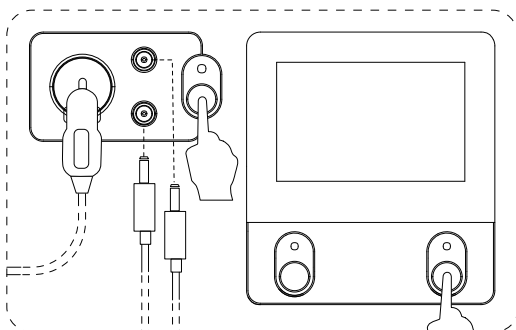
How to use USB output

1. Long press the main power button to turn on. The main power indicator and the screen lights up, enters the standby status.
2. Click the USB on/off switch to turn on the USB function.
3. Plug in the USB devices and start to use.



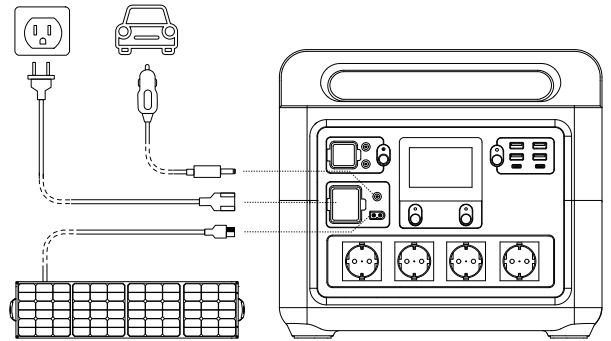
How to use DC output

1. Long press the main power button to turn on. The main power indicator and the screen lights up, enters the standby state.
2. Plug in the DC device.
3. Click the DC on/off switch to turn on the DC function.
4. After use, click the DC on/off switch to turn off the DC output.
5. When not using the product for a long time, please long press the main power switch for 3S to turn off to save power.



How to charge

- > Please charge the HS1000 before using.
 - > Please fully charge the battery before long storage. Please check the HS1000 remaining power level every 3 months and full recharge it again.
 - > There are 3 input ports on the Portable Power Station: 1* AC Input Port, 1* solar panel input port and 1* DC5521 port.
1. Super Quick charging: AC Input (AC power supply can be used to charge Portable Power Station with a maximum power of 1000W through the AC charging port).
 2. Solar charging.
 3. Car charging.



CAUTION:

- When charging HS1000 by AC input. The AC output function will be stay off, and it cannot be turned on by using the AC ON/OFF switch.
- If HS1000 is charged through the AC input during the AC output operation, the AC output will be turned off automatically.

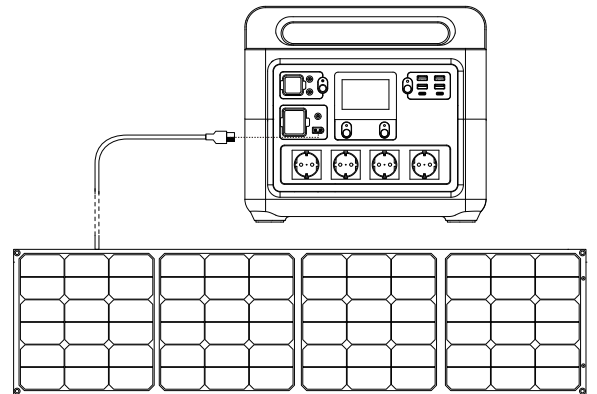
Solar Panel series/parallel charging

Portable Power Station support Solar Panel charging Max 300W.

You can purchase solar panels and dedicated cable accessories that match the Portable Power Station to achieve a high-power solar fast charging experience.

CAUTION:

The maximum voltage of solar panels that Portable Power Station can support is 30V, and the maximum current is 10A.



ATTENTION:

- It must be charged by solar panels with a voltage lower than 30V.
- The input voltage exceeding 30V has the risk of damaging the product.

FAQs

1. Can the product be taken on the plane?

No, because this product is a products with battery, according to international air transportation standards and regulations, battery capacity products cannot exceed 100Wh.

2. The consumers' power is within the rated output power range of the Portable Power Station but cannot be used?

Because the product has a low power, it needs to be fully recharged and used again.

3. Why is there a noise sometimes.

Because this product uses an air-cooled system, the built-in fan can better help the product to dissipate heat, so it is normal for a slight noise to occur during use.

4. How do I store the product when it's not in use?

The portable power station needs to be stored in a dry environment, and the correct storage method can prolong the service life of the portable power station.

5. How do I clean the product if it is dirty?

Please use a dry non-abrasive cloth to wipe. Do not wipe directly with a wet cloth or chemical solvent. If you want to wipe it more cleanly, we recommend that you use a cotton swab with a small amount of absolute alcohol to wipe. Do not expose the product to large amounts of water.